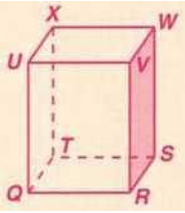
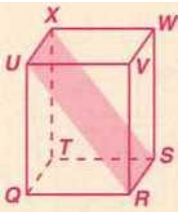
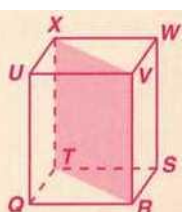
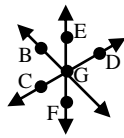
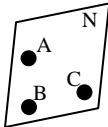
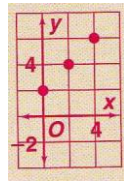
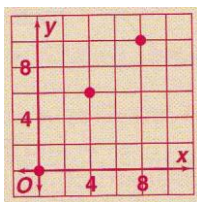


Lesson 1.2

Homework Answers

p. 13 #1-43 odd, 47-71 odd, 74, 76

- 1. no
- 3. yes; line n
- 5. yes; line n
- 7. no
- 9. Answers vary,
example: $\overline{AE}, \overline{EC}, \overline{GA}$
- 11. $ABCD$
- 13. $ABHF$
- 15. $EFAD$
- 17. \overline{RS}
- 19. \overline{UV}
- 21. QUX and QUV
- 23. UXT and WXT
- 25. 
- 27. 
- 29. 
- 31. X
- 33. Q
- 35. no
- 37. no
- 39. coplanar

- 41. coplanar
- 43. noncoplanar
- 47. 
- 49. not possible
- 51. not possible
- 53. graph...
- 55. graph...
- 57. graph...
- 59. graph...
- 61. never
- 63. always
- 65. never
- 67.  Post 1-4: Thru 3 noncollinear pts there is exactly 1 plane.
- 69. $A, B,$ and D
- 71. Post. 1-3: If 2 planes intersect, then they intersect in exactly one line.
- 74.  yes
- 76.  no